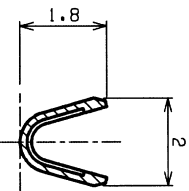
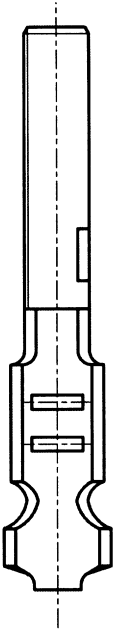
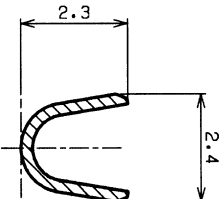


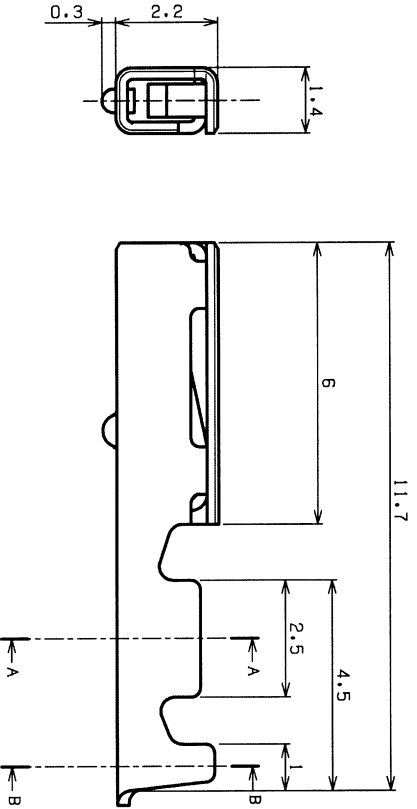
REV	DESCRIPTION	DATE	DESIGNED
1	Drawing renewal	Sep. 20, 2000	K. Yuasa



Sect. A-A



Sect. B-B



NOTE
 1. Applicable wire range AWG#22-#24 #26
 Outer diameter 1.4~1.74
 2. Unless otherwise specified tolerances are
 32LXD:±0.2
 32LXD:±0.3

1	Receptacle Contact	PHOSPHOR BRONZE	TIN-PLATED	
No.	PART NAME	MATERIAL	SURFACE FINISH	REMARKS
SIZE	UNIT	SCALE	PROJECTION	DATE
A3	METRIC	10:1	1st	SEP. 20, 2000
APPROVED	CHECKED	DESIGNED	DRAWN	CUSTOMER
A. Tomita		K. Yuasa	N. Murata	SERIES RECEPTACLE CONTACT, JWP CONTACTOR
JST J.S.T. MFG. CO., LTD		PART SWPR-001T-P025		DRAWING KRD-25212-1
		DRAWING No.		RD

THIS DRAWING CONTAINS INFORMATION THAT IS PROPRIETARY TO J.S.T. AND SHOULD NOT BE USED WITHOUT WRITTEN PERMISSION.

EC4109-2